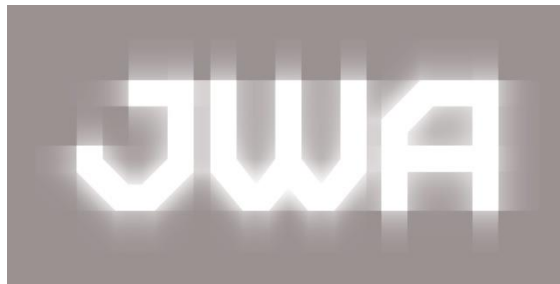
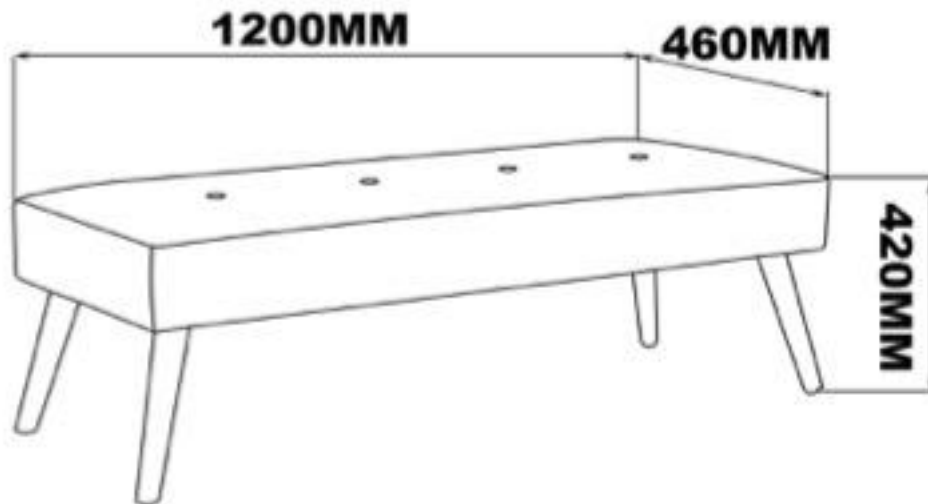


# ASSEMBLY INSTRUCTION

## ARBOR

Upholstered bench

ITEM CODE: 67997/70827/74930

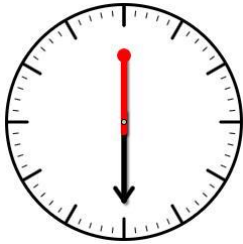



Imported by JWA Furniture Pty Ltd, Qld, Brisbane Australia.  
For any assistance with assembly or for missing parts please refer to your receipt





# PRE-ASSEMBLY PREPARATION

## Before you start:

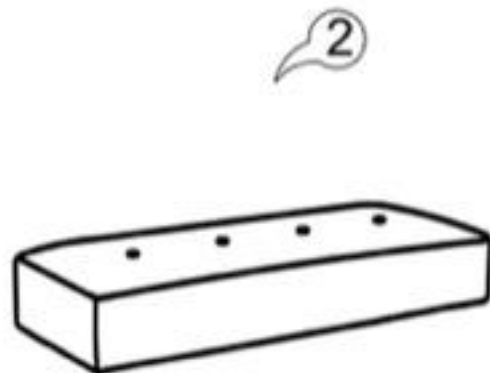
1. Choose a clean, level, spacious assembly area. Avoid hard surfaces that may damage the product
2. Take care when lifting. Product should be assembled as near as possible to the point of use
3. Ensure that you have all required contents for complete assembly
4. Always read the assembly instructions carefully before beginning assembly.
5. Keep all hardware parts and packaging out of reach of small children.
6. Do not over tighten the screws and bolts as this may damage the threads
7. Assembly is to be carried out by a competent adult(s) ONLY
8. During assembly, children should be kept away from the product due to possible risk to injury.
9. Do not use this item if any components are missing or damaged.
10. Please keep the instructions for future reference.

	
Allow 30 min	For 1 person

# PARTS LIST

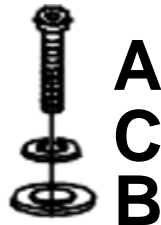
A*16	B*16	C*16	D*1
 M8*45	 M8	 M8	 M8

Part	Description	QTY
1	Legs	4
2	Bench	1



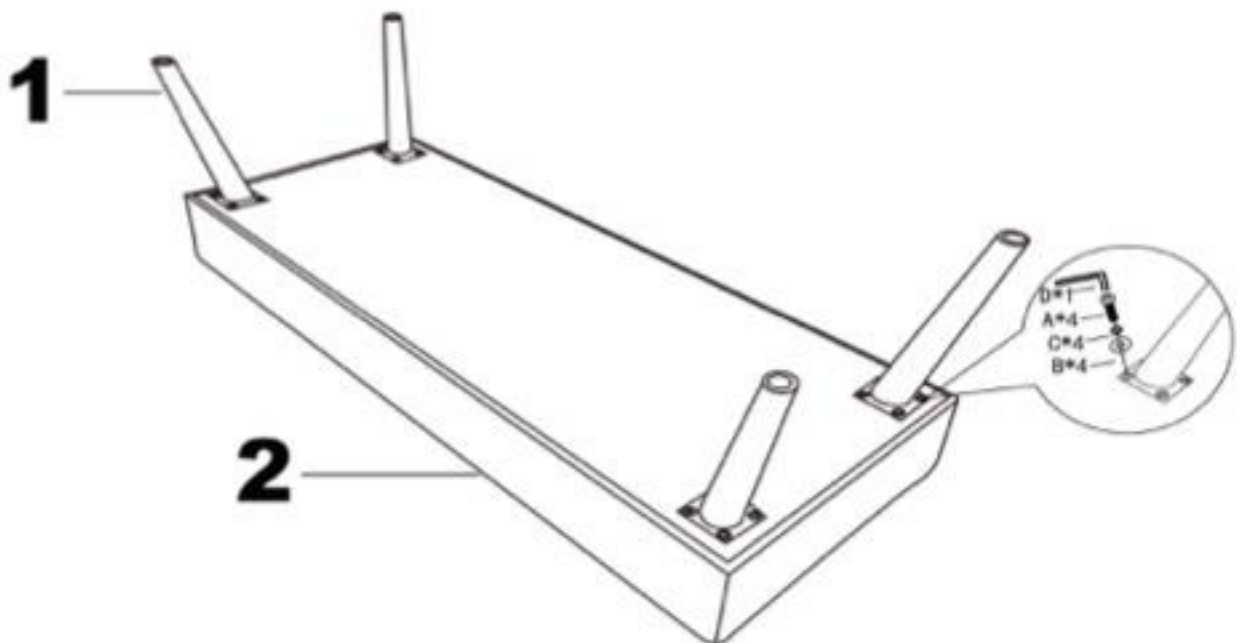
## STEP 1:

- Make 16 x bolts sets.
- Thread bolt(A) through spring washer(C) and washer(B). Do this for all the bolts.



## STEP 2:

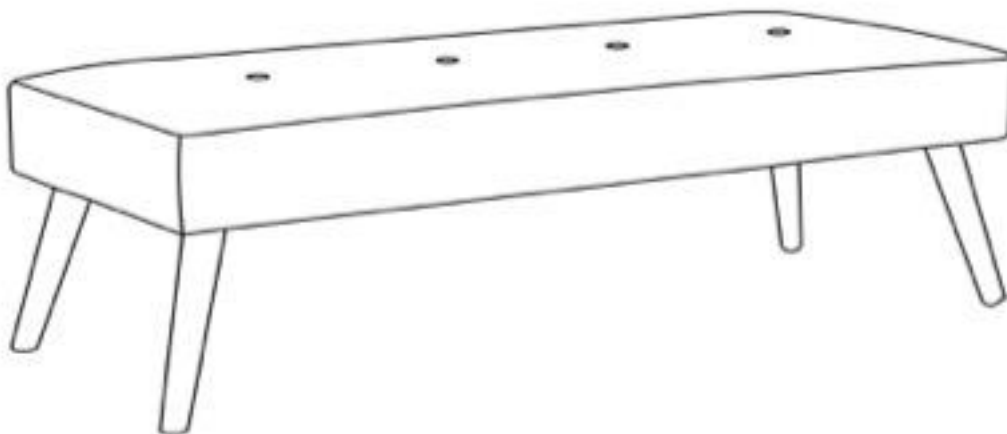
- Prepare a floor or a bench with a blanket or cardboard.
- Lay the Bench(2) down, bottom facing up.
- Thread 4 x bolt sets from step 1 per leg(1), as shown below.
- Attach all 4 legs.
- Fasten with Allen Key(D).
- Tighten only until the bolt is a little firm in the thread, do not fasten completely.



### **STEP 3:**

- **Stand the bench up the right way up on a level surface.**
- **Push down on the bench until it levels out. Do not lean beyond your own balance.**
- **Once level, flip the bench back over again (upside down). Now fully fasten all the bolts.**
- **Do not over tighten, this may damage the product.**

**ASSEMBLY IS COMPLETE**



**REGULAR CARE:**

- Protect from direct sunlight
- Vacuum regularly using low suction
- Rotate reversible cushions regularly

**CLEANING:**

- Do not remove cushion covers for separate cleaning even though they may have zippers
- Do not wash, Do not dry clean, Do not shampoo clean
- Clean with hot water extraction machine. Professional cleaning recommended
- Do not use dishwashing liquid or laundry detergent
- Use only upholstery detergents
- Do not wet filling
- Dry in shade away from direct heat and sunlight
- Allow to dry thoroughly before re-use

**SPOT CLEANING:**

- Do not rub
- Do not spot clean with any solvent
- Treat spills and stains as soon as possible
- Gently scrape off any soil or mop any liquid from the surface of the fabric
- Apply proprietary cleaning agents strictly according to instructions to remove the residue of the spill
- Do not saturate the fabric or interior with water or other cleaning liquids

**WARNING:**

Apply only water-based soil resist (fabric protection) treatments.

Do not use aerosol products

**\* PILLING IS NOT A FABRIC DEFECT OR FAULT AND IS NOT COVERED BY WARRANTY**

**\* PILLING IS A NORMAL OCCURRENCE CAUSED BY WEAR AND TEAR AND DOES NOT AFFECT THE DURABILITY OR FUNCTIONALITY OF THE FABRIC AND IS EASILY REMOVED**